

Power Resistors

Series AXP 100

100 W Power Resistor with four wire terminals, version B for enforced mechanical stability

The new design with its non-inductive thick film Metal Oxide Technology prevents potential problems with clearance and creepage distance from terminal to base plate by means of flexible connecting leads.

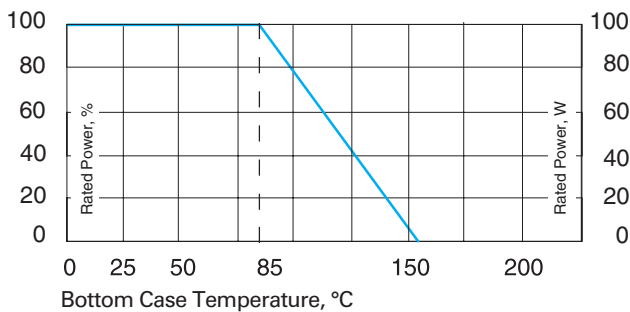
This unique design will allow you to use this element in the following areas: variable speed drives; power supplies; control devices; telecommunications; robotics; motor controls and other switching devices.

Specifications

- Resistance range: 1 Ω to 1 MΩ
- Standard tolerance: ±1% to ±10%
- Temperature coefficient: ±50, ±100 ppm, ±250 ppm (at +105°C ref. to +25°C)
- Max. work. voltage: 500 V (up to 1,500 V DC upon special request)
- Power rating: at 85°C BCT
- Short time overload: 1.5 x rated power for 10 sec, ΔR = 0.4% max. (for conf. 1, 2 and 3)
- Standard wire length: L = 100mm (other lengths are available upon special request)
- Electric strength: 5kV DC (3 kV AC, higher values upon request)
- Mounting- max. torque: 1.2 Nm
- Working temperature range: -55 up to 155 °C
- Standard cable: PVC 0,75 mm², 20-AWG black, length = 100mm (others on request)

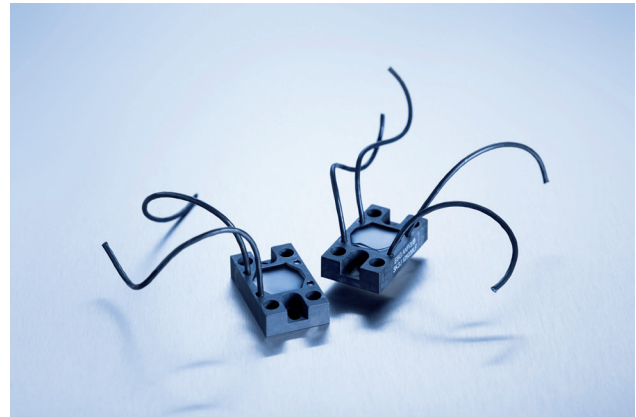
Suggested Mounting Procedure:

- 1) Position component and press down by hand.
- 2) Fix both mounting screws (M4) with 0.1 to 0.2 Nm torque.
- 3) Apply final torque to mounting screws of 1.0 to 1.2 Nm max.

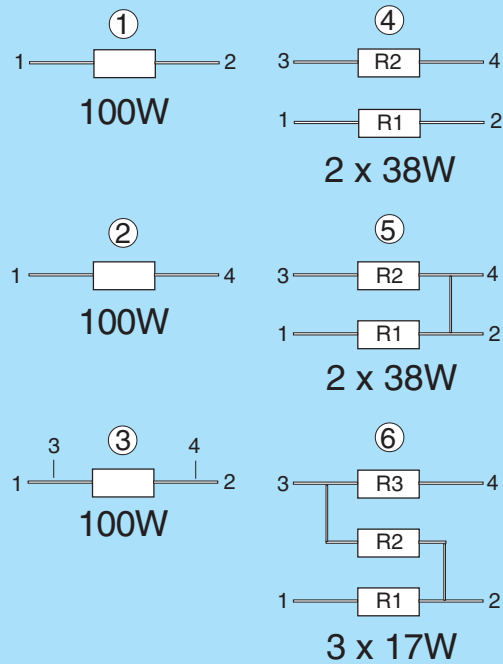


Best results can be obtained by using a thermal transfer compound with a heat conductivity of better than 1 W/mK. The flatness of the cooling plate must be better than 0.05 mm overall. Surface roughness should not exceed 6.4 μm

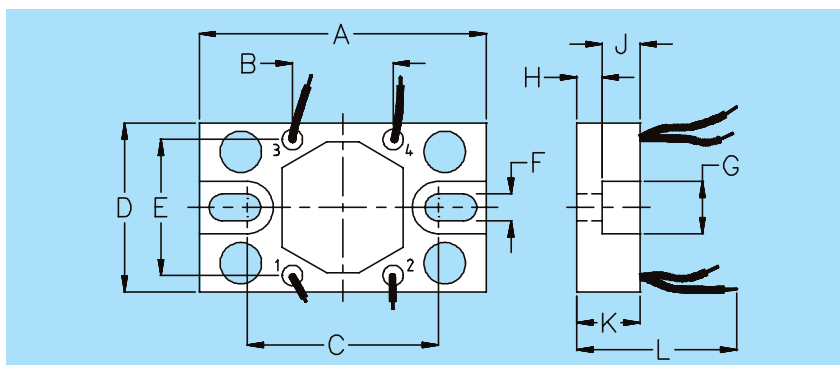
Derating (thermal resistance): 1.42 W°K (0.70°K/W). (for conf. 1, 2 and 3)



Configurations (P/package)



Version 5: ohmic value between contact 2 and 4 = 3mΩ



Dim.	Millimeter		Inches	
	Min.	Max.	Min.	Max.
A	44.8	45.2	1.764	1.779
B	16.3	17.3	0.642	0.681
C	29.7	30.1	1.169	1.185
D	26.2	26.6	1.031	1.047
E	22.0	23.0	0.866	0.906
F	4.1	4.3	0.161	0.169
G	8.0	8.4	0.315	0.331
H	4.1	4.4	0.161	0.173
J	5.8	6.2	0.228	0.244
K	10.0	10.5	0.394	0.413
L	100.0	105.0	3.937	4.134

The above spec. sheet features our standard products. For further options, please contact our local EBG representative or contact us directly. For updated information, please visit our website!