

Power Resistors

Series AXP 50

50 W Power Resistor with four wire terminals

The new design with its non-inductive thick film Metal Oxide Technology prevents potential problems with clearance and creepage distance from terminal to base plate by means of flexible connecting leads.

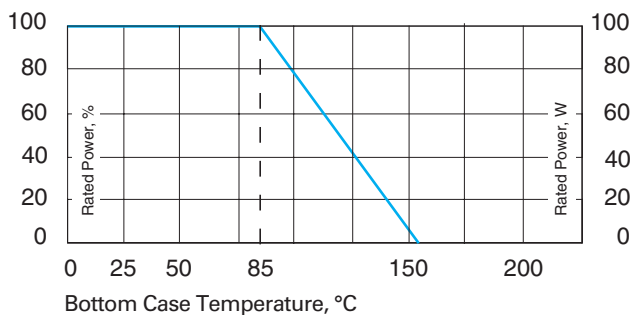
This unique design will allow you to use this element in the following areas: variable speed drives; power supplies; control devices; telecommunications; robotics; motor controls and other switching devices.

Specifications

- Resistance range: 1 Ω to 1 MΩ
- Standard tolerance: ±1% to ±10%
- Temperature coefficient: ±50, ±100 ppm, ±250 ppm (at +105°C ref. to +25°C)
- Max. work. voltage: 500 V (up to 1,000 VDC upon special request)
- Power rating: at 85°C BCT
- Standard wire length: L = 100 mm (other lengths available upon special request)
- Electric strength: 5 kV DC (3 kV AC, higher values upon request)
- Mounting - max. torque: 1.2 Nm
- Working temperature range: -55 up to 155 °C
- Standard cable: 4GKW, 0,5mm², black, length = 100mm (others on request)

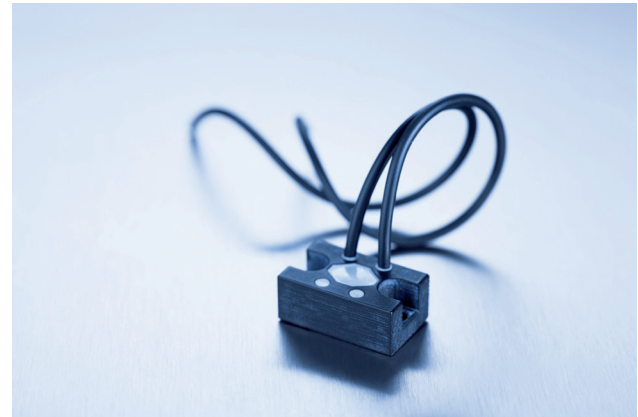
Suggested Mounting Procedure:

- 1) Position component and press down by hand.
- 2) Fix both mounting screws (M3) with 0.1 to 0.2 Nm torque.
- 3) Apply final torque to mounting screws of 1.0 to 1.2 Nm max.

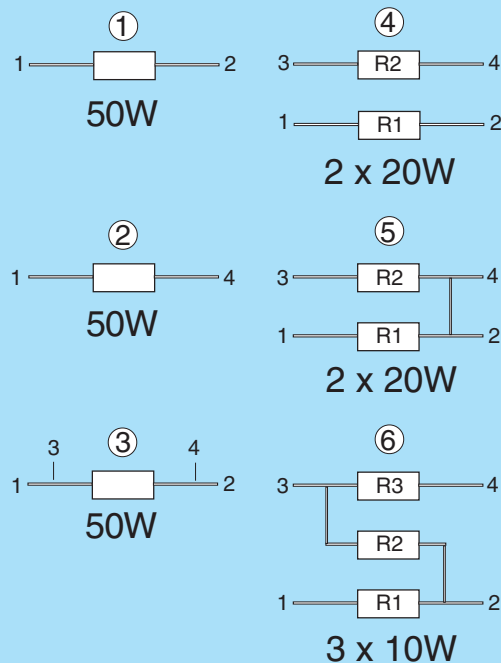


Best results can be reached by using a thermal transfer compound with a heat conductivity of better than 1 W/mK. The flatness of the cooling plate must be better than 0.05 mm overall. Surface roughness should not exceed 6.4 μm.

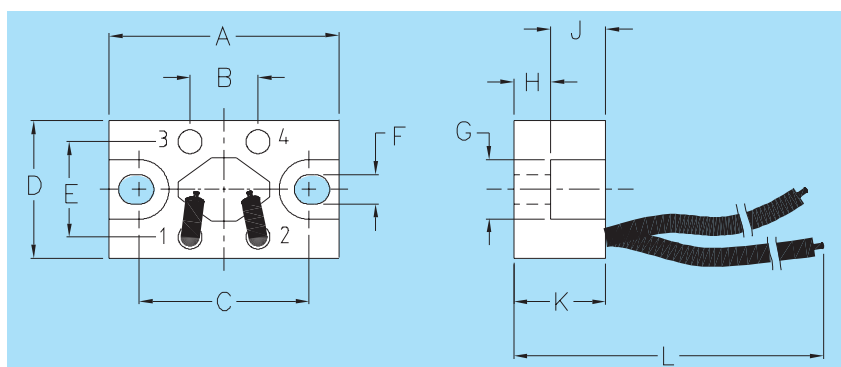
Derating (thermal resistance): 0.995 W/°K (1.005°K/W). (for conf. 1, 2 and 3)



Configurations (P/package)



Version 5: ohmic value between contact 2 and 4 = 3 mΩ



Dim.	Millimeter		Inches	
	Min.	Max.	Min.	Max.
A	24.8	25.2	1.764	1.779
B	6.9	7.9	0.642	0.681
C	18.3	18.7	1.169	1.185
D	14.8	15.2	1.031	1.047
E	9.9	10.9	0.866	0.906
F	3.0	3.4	0.161	0.169
G	6.3	6.7	0.315	0.331
H	3.8	4.2	0.161	0.173
J	5.8	6.2	0.228	0.244
K	10.0	10.5	0.394	0.413
L	100.0	105.0	3.937	4.134

The above spec. sheet features our standard products. For further options, please contact our local EBG representative or contact us directly. For updated information, please visit our website!