

Series MTX 969 W

High-Power Water-Cooled Single Resistors and Voltage Dividers up to 1,700 W

A Miba Group Company

1/1

Our resistor series 969 W is designed for use in high-power applications. Direct water cooling renders these resistors suitable for a very high continuous power load.

Easy M4 mounting, wide ohmic range, precise tolerance and temperature coefficient values as well as high dielectric strength capability are only some of the features of this resistor series. There is also an option for voltage dividers!

Features

- up to 1,700 W operating power
- Non-Inductive design
- ROHS compliant



Technical Specifications

Resistance value	0.5 Ω ≤ 10 MΩ
Resistance tolerance	±5 % to ±10 % standard
Temperature coefficient	> 10 Ω: ±100 ppm/°C standard ≤ 10 Ω: +250 ppm/°C (at +85°C ref. to +25°C) lower TCR on special request for limited ohmic values
Inductivity	80 – 100 nH typical measuring frequency 10 kHz
Isolation voltage	10 kV DC (between Contact 1 and Isolation Contact) – for 969 W and 969 W-L 3 kV DC for 969 W-S
Cooling medium	must be non-conductive (e.g. distilled water or distilled water-glycol mixture)
Connecting type of cooling medium	6 mm – tube (other connections on special request)
Max. cooling medium pressure	10 bar
Contact material	CrNi (stainless)
Weight	depending on model no. (ask for details)

How to make an order

Model no._Ohmic Value_Tolerance

For example:

MTX 969 W 75R 10% or MTX 969 W-L 2M4 5%

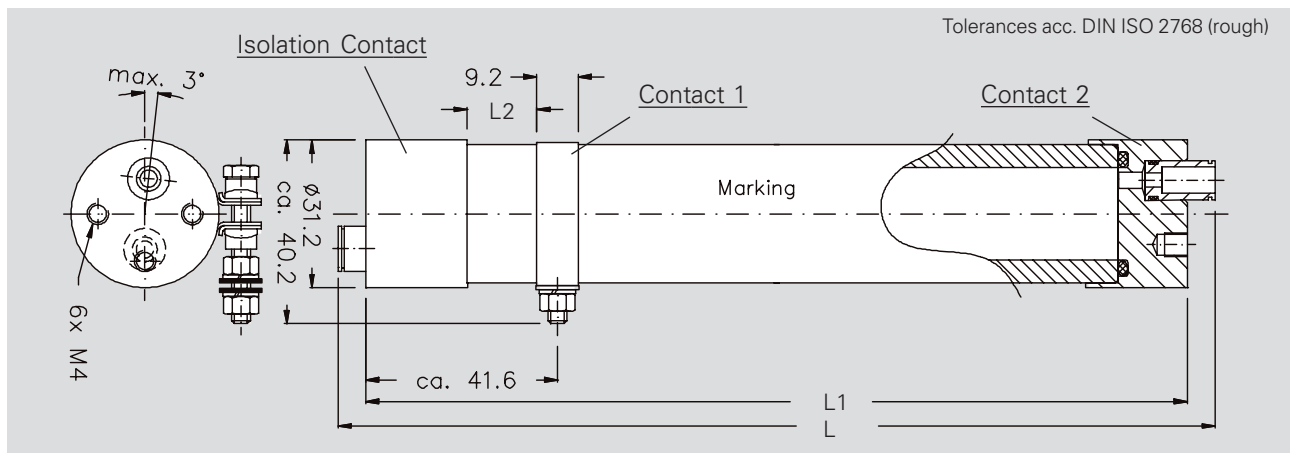
Model Specifications

Dimensions in mm

Model no.	Wattage max.	Voltage max.	L	L1	L2
969 W-S	500 W	5 kV DC	117	100	5
969 W	1000 W	7 kV DC	195	178	15
969 W-L	1700 W	10 kV DC	337	320	15

(max. Power at cooling medium temp. < 50°C, flow > 7 l / min.)

If (power-) resistors are used in an enforced cooling application, coolant flow may not be interrupted!



The above spec. sheet features our standard products. For further options please contact our local EBG representative or contact us directly.

sales@ebg-resistors.com · sales@ebg-us.com