

# Series MTX 967

TC of  $\pm 10$  ppm/ $^{\circ}\text{C}$  to  $\pm 200$  ppm/ $^{\circ}\text{C}$ , different coatings available

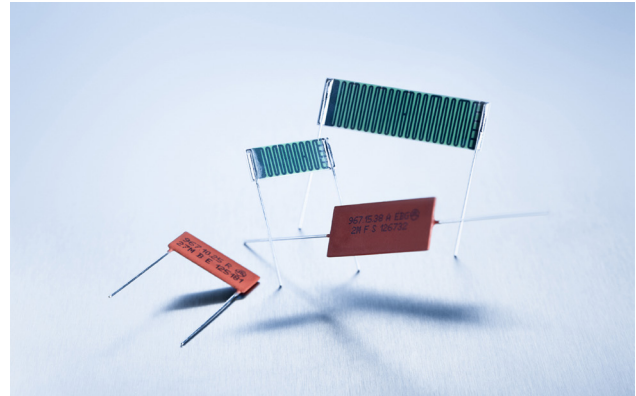
A Miba Group Company

1/1

Good temperature and voltage coefficients, high resistance values and high voltage capability distinguish the series of high precision cement resistors.

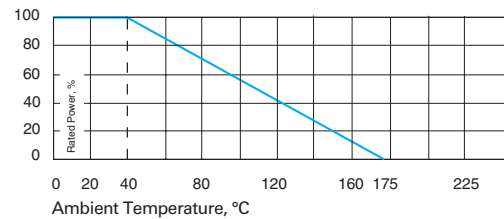
## Features

- up to 35 kV operating voltage
- Tolerance range  $\pm 10\%$  to  $\pm 0.1\%$
- Ohmic range 10  $\Omega$  to 30 G $\Omega$  (depending on model no.)
- Non-Inductive design
- ROHS compliant



## Technical Specifications

<b>Resistance value</b>	10 $\Omega$ $\leq$ 30 G $\Omega$ (depending on model no., ask for details)
<b>Resistance tolerance</b>	$\pm 0.1\%$ to $\pm 10\%$
<b>Temperature coefficient</b>	$\pm 15$ ppm/ $^{\circ}\text{C}$ to $\pm 200$ ppm/ $^{\circ}\text{C}$ (at 85 $^{\circ}\text{C}$ ref. to +25 $^{\circ}\text{C}$ ) other TCR on special request for limited ohmic values
<b>Max. operating temperature</b>	-55 to +175 $^{\circ}\text{C}$
<b>Dielectric strength</b>	> 1,000 V (25 $^{\circ}\text{C}$ , 75% relative humidity)
<b>Insulation resistance</b>	> 10,000 M (500 V, 25 $^{\circ}\text{C}$ , 75% relative humidity)
<b>Overload</b>	$\Delta R/R$ 0.25 % max. 1.5x Pnom, 5 sec. (do not exceed 1.5x V max.)
<b>Load Life</b>	$\Delta R/R$ 0.25 % max.
<b>Moisture resistance</b>	$\Delta R/R$ 0.25 % max.
<b>Thermal shock</b>	$\Delta R/R$ 0.2 % max.
<b>Encapsulation</b>	<b>silicone conformal (U) or glass coating (G)</b> other coatings with different dielectric strengths available on special request
<b>Lead material</b>	tinned copper
<b>Weight</b>	depending on model no. (ask for details)



## How to make an order

Model no. **A** or **R\_U** or **G\_Ohmic Value\_Tolerance\_TC**

**A** = Axial  
**R** = Radial

**U** = Silicone conformal coating  
**G** = Glass coating

For example:

MTX 967.3.25 RG 56M 5% 100ppm or  
MTX 967.15.15 AU 1G 1% 100ppm

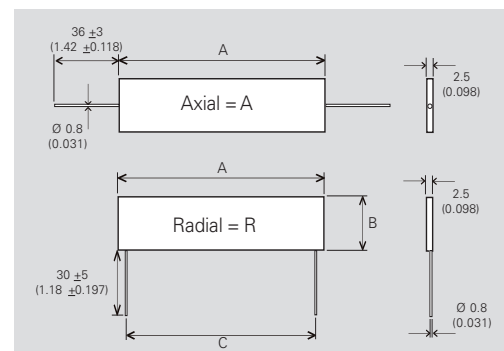
## Model Specifications

## Dimensions in mm

Model no.	P Wattage	V kV DC	A ( $\pm 1$ )	B ( $\pm 1$ )	C
967.3.25	1	8	25.4	3.8	22.9
967.3.38	1.5	10	38	3.8	35.7
967.5.13*	1	5	12.7	5.0	10.2
967.5.51	2	20	50.8	5.0	48.3
967.10.25	2	10	25.4	10.0	22.9
967.10.51	3	30	50.8	10.0	48.3
967.15.38	3	15	38	15.0	35.7
967.15.51	4.5	30	50.8	15.0	48.3
967.15.76	5.5	35	76.2	15.0	73.4
967.25.99	10	35	101.6	24.0	98.6

\*Pins: L = 9 + 1 mm

$\square$  0.6 x 0.35 mm



The above spec. sheet features our standard products. For further options please contact our local EBG representative or contact us directly.