

Series MTX 967

TC of ± 10 ppm/ $^{\circ}\text{C}$ to ± 200 ppm/ $^{\circ}\text{C}$, different coatings available

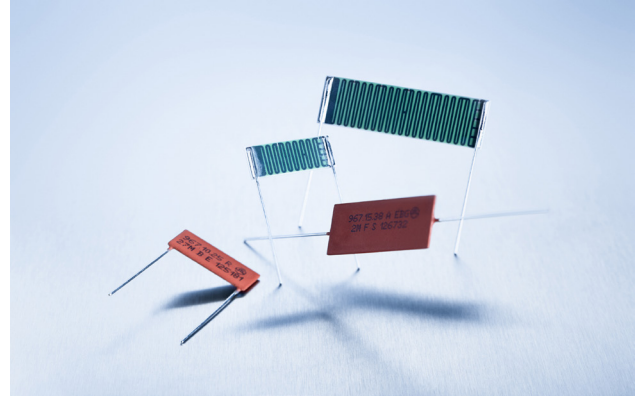
A Miba Group Company

1/1

Good temperature and voltage coefficients, high resistance values and high voltage capability distinguish the series of high precision cement resistors.

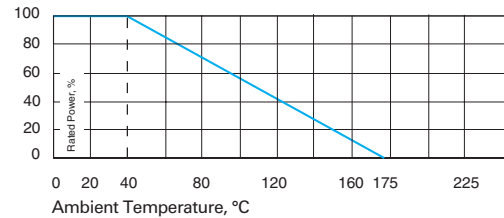
Features

- up to 35 kV operating voltage
- Tolerance range $\pm 10\%$ to $\pm 0.1\%$
- Ohmic range $10\ \Omega$ to $30\ \text{G}\Omega$ (depending on model no.)
- Non-Inductive design
- ROHS compliant



Technical Specifications

Resistance value	$10\ \Omega \leq 30\ \text{G}\Omega$ (depending on model no., ask for details)
Resistance tolerance	$\pm 0.1\%$ to $\pm 10\%$
Temperature coefficient	± 15 ppm/ $^{\circ}\text{C}$ to ± 200 ppm/ $^{\circ}\text{C}$ (at 85°C ref. to $+25^{\circ}\text{C}$) other TCR on special request for limited ohmic values
Max. operating temperature	-55 to $+175^{\circ}\text{C}$
Dielectric strength	$> 1,000\ \text{V}$ (25°C , 75% relative humidity)
Insulation resistance	$> 10,000\ \text{M}$ ($500\ \text{V}$, 25°C , 75% relative humidity)
Overload	$\Delta R/R$ 0.25 % max. $1.5x$ Pnom, 5 sec. (do not exceed $1.5x$ V max.)
Load Life	$\Delta R/R$ 0.25 % max.
Moisture resistance	$\Delta R/R$ 0.25 % max.
Thermal shock	$\Delta R/R$ 0.2 % max.
Encapsulation	silicone conformal (U) or glass coating (G) other coatings with different dielectric strengths available on special request
Lead material	tinned copper
Weight	depending on model no. (ask for details)



How to make a request

Model no. **A** or **R**_U or **G**_Ohmic Value_Tolerance_TC

A = Axial

R = Radial

U = Silicone conformal coating

G = Glass coating

For example:

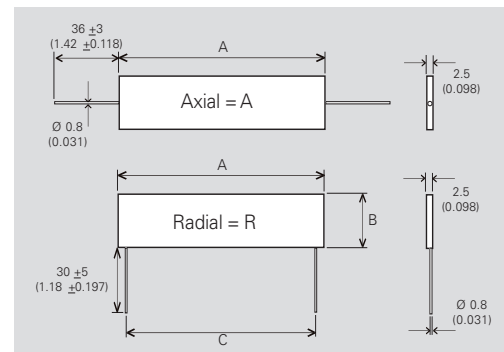
MTX 967.3.25 RG 56M 5% 100ppm or

MTX 967.15.15 AU 1G 1% 100ppm

Model Specifications

Dimensions in mm

Model no.	P Wattage	V kV DC	A	B	C
967.3.25	1	8	25.4	3.8	22.9
967.3.38	1.5	10	38	3.8	35.7
967.5.13*	1	5	12.7	5.0	10.2
967.5.51	2	20	50.8	5.0	48.3
967.10.25	2	10	25.4	10.0	22.9
967.10.51	3	30	50.8	10.0	48.3
967.15.38	3	15	38	15.0	35.7
967.15.51	4.5	30	50.8	15.0	48.3
967.15.76	5.5	35	76.2	15.0	73.4
967.25.99	10	35	101.6	24.0	98.6



*Pins: $L = 9 + 1\ \text{mm}$

\square $0.6 \times 0.35\ \text{mm}$