

# Series GXP 120, SOT-227

120 W Power Resistor in the "ISOTOP" power device

A Miba Group Company

1/2

Due to our Non-Inductive design, the GXP series is ideally suited for high-frequency and pulse-loading applications. Through direct mounting on a heat sink, significant cost advantage can be realized. Main applications are: variable speed drives, power supplies, control devices, telecommunications, robotics, motor controls and other switching devices.

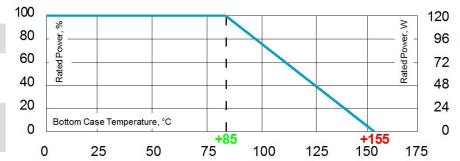
## Features

- multiple resistors in 1 package
- Non-Inductive design
- ROHS compliant
- Materials in accordance with UL 94 V-0
- AEC-Q200 compliant



## Technical Specifications

<b>Resistance value</b>	0.1 Ω ≤ 1 MΩ
<b>Resistance tolerance</b>	±1 % to ± 10 %
<b>Temperature coefficient</b>	> 1R: ±250 ppm/°C (at +85°C ref. to +25°C) lower TCR on special request for limited ohmic values
<b>Power rating</b>	up to 120 W at 85°C bottom case temperature (see configurations)
<b>Short time overload</b>	1.5x rated power at 85°C bottom case temperature for 10 sec., ΔR = 0.4% max. (for conf. 1, 2 and 3)
<b>Maximum working voltage</b>	500 V (up to 1,000 V on special request = "S"-version)
<b>Partial discharge</b>	up to 2,000 Vrms / 80pC Tests only on special request
<b>Voltage proof</b>	dielectric strength up to 4,000 V DC against ground
<b>Insulation resistance</b>	> 10 GΩ at 1,000 V DC
<b>Isolation voltage between R1 &amp; R2</b>	500 V (1,000 V on special request)
<b>Protection class</b>	acc. to IEC 950/CSA22.2 950/M-89 and EN 60950.88:2
<b>Comparative Tracking Index (CTI)</b>	standard > 200 V (> 500 V on special request = "H"-version)
<b>Heat resistance to cooling plate</b>	Rth < 0.45 K/W
<b>Capacitance/mass</b>	45 pF (typical), measuring frequency 10 kHz
<b>Serial inductivity</b>	GXP-1 typical 40 nH, measuring frequency 10 kHz
<b>Working temperature range</b>	-55°C to +155°C
<b>Mounting - torque for base plate (static)</b>	1.3 Nm to 1.5 Nm M4 screws
<b>Mounting - torque for contacts (static)</b>	1.1 Nm to 1.3 Nm M4 screws, screw-in depth max. 5 mm
<b>Weight</b>	~26 g



Derating (thermal resist.) GXP-120:  
2.22 W/K (0.45 K/W) (for conf. 1, 2 and 3)

Best results can be reached by using a thermal transfer compound with a heat conductivity of at least 1 W/mK. The flatness of the cooling plate must be better than 0.05 mm overall. Surface roughness should not exceed 6.4 μm.

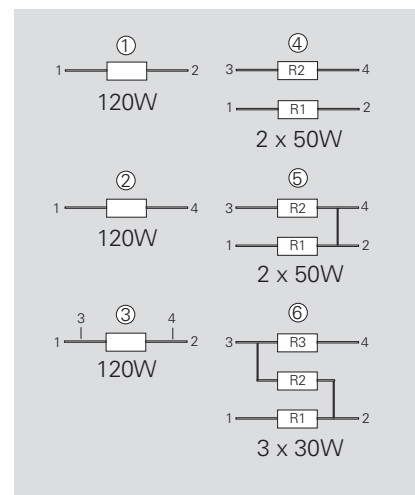
## How to make an order

GXP-Configuration\_Ohmic Value\_Tolerance

For example:  
GXP-1 1R 10% or GXP-4 2x50K 5%

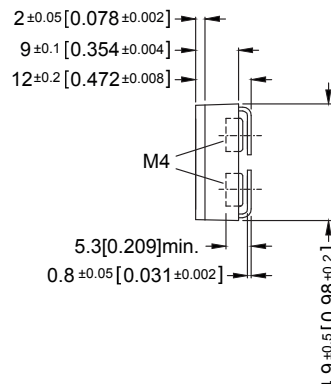
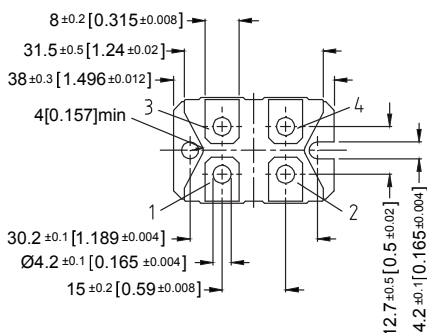
Example for higher working voltage or CTI  
GXP-4-S 2x40R 10% or GXPH-2 40K 10%

## Configurations (P / package)



Version 5: ohmic value between contact 2 and 4 = 3mΩ

## Dimensions in mm [inches]



The above spec. sheet features our standard products. For further options please contact our local EBG representative or contact us directly.