



# Series AXP-150

150 W Plane Non-Inductive Power Resistor

## Features

- 1x150 W / 2x60 W / 3x33 W operating power
- SOT-227 mould package
- Two different terminal options available
- Good mechanical reliability
- Non-Inductive design



## Technical Specifications

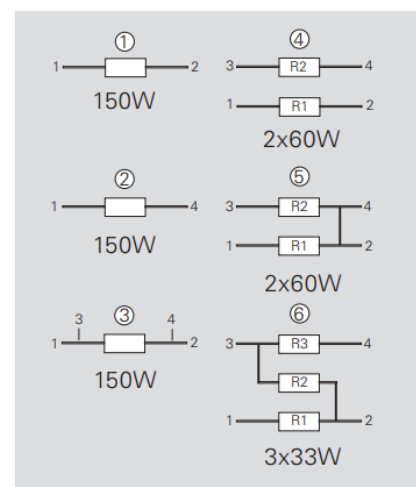
<b>Resistance value</b>	0.5 Ω ≤ 1 MΩ
<b>Resistance tolerance</b>	±1 % to ±10 %
<b>Temperature coefficient</b>	±50 ppm/°C to ±250 ppm/°C (+25°C to +105°C, ref. to +25°C)
<b>Power rating</b>	150 W at 70°C bottom case temperature (see configurations)
<b>Maximum operating voltage</b>	1500 V DC
<b>Capacitance (mass)</b>	36 pF
<b>Capacitance (parallel)</b>	12 pF
<b>Inductance</b>	≤ 50 nH
<b>Electric clearance / creepage distance</b>	2 terminal types available (see below)
<b>Load life</b>	1,000 hours at rated power, BCT at 70°C, ΔR ≤ ±(1.0% R + 0.001Ω)
<b>Moisture resistance</b>	56 days / 40°C RH ≥ 95% ΔR ≤ ±(0.25% R + 0.001Ω)
<b>Thermal shock</b>	-40°C to +125°C, 5 times, ΔR ≤ ±(0.25% R + 0.001Ω)
<b>Vibration, high frequency</b>	MIL-Std.-202, method 204, Cond. D ΔR ≤ ±(0.2% R + 0.001Ω)
<b>Dielectric strength</b>	5 kV DC, 3 kV AC (higher on special request)
<b>Base plate installation</b>	M4 screw, max. torque 1.3 Nm
<b>Contact terminal</b>	M4 screw, max. torque 1.0 Nm
<b>Operating temperature range</b>	-55°C to +155°C
<b>Weight</b>	~18 g

## How to make a request

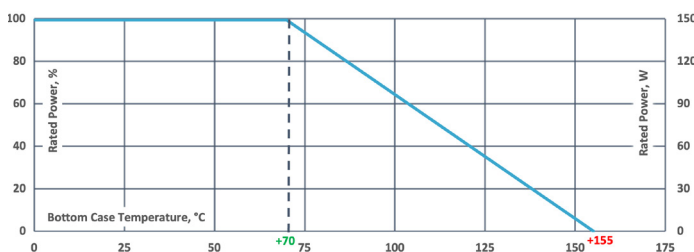
AXP-150-Configuration\_Terminal Type\_ Ohmic Value\_Tolerance

For example:  
AXP-150-2-C 50R 5%

## Configurations (P / package)



Version 5: ohmic value between contact 2 and 4 approx. 3mΩ

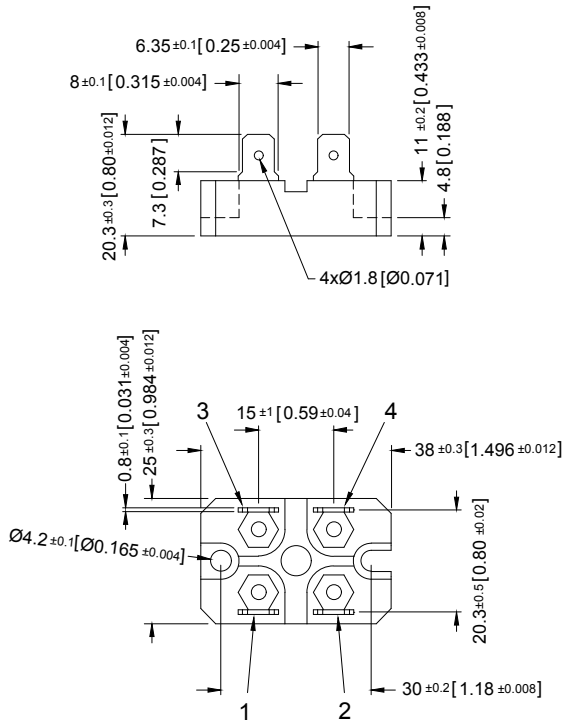


Derating (thermal resist.) AXP-150: 1.76 W/K (0.57 K/W)

Without a heat sink, when in open air at 25°C, the AXP-150 is rated for 3.5 W.

# Series AXP-150

## Terminal B dimensions in mm [inches]



### Terminal (#1 ~ #4) linear distance:

- #1 to #2#3 to #4 ≥ 7 mm
- #1 to #3#2 to #4 ≥ 19 mm
- #1 to #4#2 to #3 ≥ 20 mm
- Terminal to board ≥ 11 mm

When using "insertion type terminal" the distance reduced by 1 mm

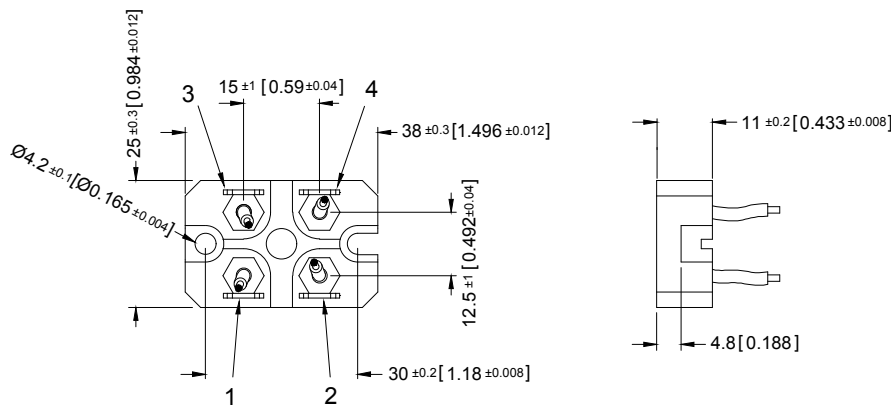
### Terminal (#1 ~ #4) creep distance:

- #1 to #2#3 to #4 ≥ 10 mm
- #1 to #3#2 to #4 ≥ 23 mm
- #1 to #4#2 to #3 ≥ 26 mm
- Terminal to board ≥ 13 mm

When using "insertion type terminal" the distance reduced by 1 mm

## Terminal C dimensions in mm [inches]

(Terminal standard length = 100mm, others on special request)





# Disclaimer

The given statements and information herein are recommendations for the use of our products and are based on our experience in combination with applicable technical standards.

They are for guidance only and do not represent any assurance of characteristics or warranty commitments for the products or their suitability for specific applications.

The suitability of the products for the intended use by the user depends on different boundary conditions and influencing factors and is to be assessed exclusively by the user.

**DISCLAIMER:**

NO WARRANTY OR GUARANTEE, EXPRESS OR IMPLIED, IS MADE WITH RESPECT TO THE PRODUCTS, DESIGNS, DATA, INFORMATION DESCRIBED OR ANY INTELLECTUAL PROPERTY CONTAINED THEREIN. ANY WARRANTY OR GUARANTEE OF MERCHANTABILITY OR FITNESS FOR A PARTICULAR PURPOSE IS ALSO EXCLUDED.

The given statements and information herein reflect the current status at the time of publication.

Typing or printing errors cannot be excluded.

This publication shall not be reprinted or reproduced in whole or in part in any form or by any means without the express written permission of Miba Resistors.