

Series AXM

100 W Low Ohm Pulse Power Resistor - only configuration 1 possible

A Miba Group Company

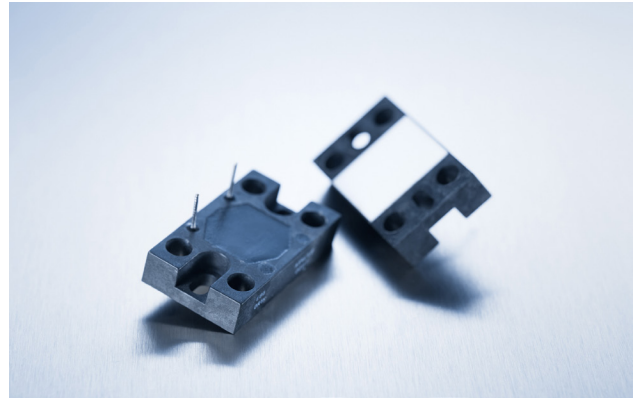
1/1

This model is designed for high pulse withstanding capabilities. The AXM series is usually used in areas where stringent pulse withstanding requirements are common such as welding equipment, variable speed drives and motor control and other switching devices.

Please let us know your exact pulse parameters to offer you the best option / design details.

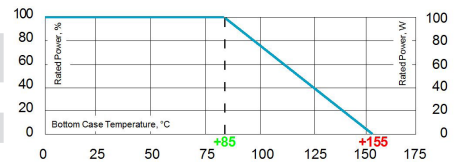
Features

- 100 W operating power
- Non-Inductive design
- ROHS compliant
- Materials in accordance with UL 94V-0



Technical Specifications

Resistance value	0.05 Ω ≤ 0.5 Ω
Resistance tolerance	±10 % standard ± 5 % on special request f. limited ohmic values
Temperature coefficient	typical ±500 ppm/°C (at +85°C ref. to + 25°C)
Power rating	100 W at 85°C bottom case temperature
Maximum working voltage	up to 500 V (depending on pulse load scenario)
Electric strength voltage	3 kV DC (1.5 kV AC, higher values on special request between terminal and case)
Working temperatur range	-55°C to +155°C
Standard wire length	L = 10 mm (other lengths available on special request)
Mounting - torque	1.0 Nm to 1.2 Nm
Weight	~18 g



Best results can be reached by using a thermal transfer compound with a heat conductivity of at least 1 W/mK. The flatness of the cooling plate must be better than 0.05 mm overall. Surface roughness should not exceed 6.4 μm.

Suggested Mounting Procedure:

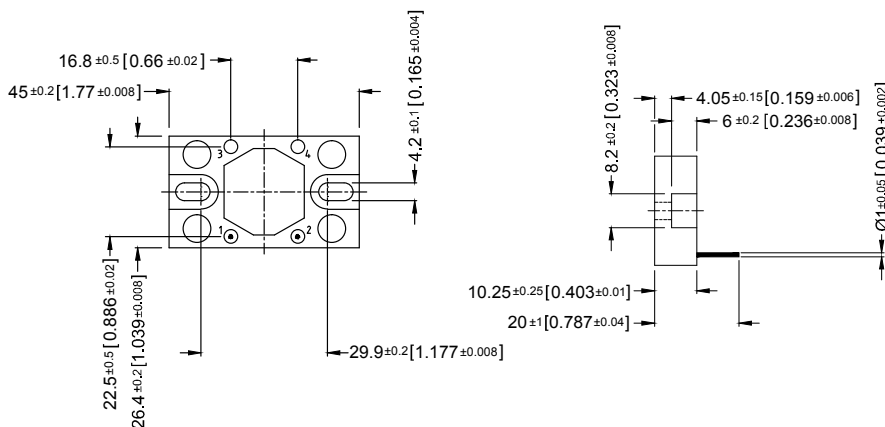
- 1.) Position component and press down by hand
- 2.) Fix both mounting screws (M4) with 0.1 to 0.2 Nm torque
- 3.) Apply final torque to mounting screws of 1.0 to 1.2 Nm

How to make an order

AXM-1 B_Ohmic Value_Tolerance

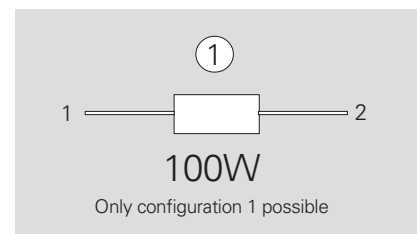
For example:
AXM-1 B 0R1 10%

Dimensions in mm [inches]



Boreholes distance from min. 30.0 mm to max. 37.0 mm

Configuration



The above spec. sheet features our standard products. For further options please contact our local EBG representative or contact us directly.

Disclaimer



A Miba Group Company

The given statements and information herein are recommendations for the use of our products and are based on our experience in combination with applicable technical standards.

They are for guidance only and do not represent any assurance of characteristics or warranty commitments for the products or their suitability for specific applications.

The suitability of the products for the intended use by the user depends on different boundary conditions and influencing factors and is to be assessed exclusively by the user.

DISCLAIMER:

NO WARRANTY OR GUARANTEE, EXPRESS OR IMPLIED, IS MADE WITH RESPECT TO THE PRODUCTS, DESIGNS, DATA, INFORMATION DESCRIBED OR ANY INTELLECTUAL PROPERTY CONTAINED THEREIN. ANY WARRANTY OR GUARANTEE OF MERCHANTABILITY OR FITNESS FOR A PARTICULAR PURPOSE IS ALSO EXCLUDED.

The given statements and information herein reflect the current status at the time of publication.

Typing or printing errors cannot be excluded.

This publication shall not be reprinted or reproduced in whole or in part in any form or by any means without the express written permission of EBG.