



# Series ACP-100

100 W resistor



1/1

The 100 W resistor is a good solution for small pulses. The proven concept with Fast-On connection offers easy mounting on heat sinks and PCB.

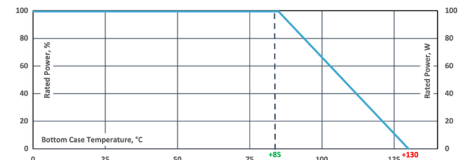
## Features

- 100 W power rating at 85°C bottom case temperature
- Non-Inductive design
- ROHS compliant
- Materials in accordance with UL 94 V-0
- Resistor is also available with preapplied PCM (Phase Change Material) (ask for details)



## Technical Specifications

<b>Resistance value</b>	0.24 Ω ≤ 1 MΩ
<b>Resistance tolerance</b>	±1 % to ±10 %
<b>Temperature coefficient</b>	≥1 Ω: ±150 ppm/°C (+25°C to +105°C, ref. to +25°C) <1 Ω: ±250 ppm/°C (+25°C to +105°C, ref. to +25°C)
<b>Power rating</b>	100 W at +85°C bottom case temperature
<b>Maximum operating voltage</b>	1000 V DC
<b>Dielectric strength</b>	3500 V DC
<b>Insulation resistance</b>	min. 10 GΩ
<b>Momentary overload</b>	2 times rated power, but no more than 1.5 time max. continuous operating voltage, last 5s, ΔR ≤ ±(0.25%R + 0.001Ω)
<b>Load life</b>	1,000 hours at rated power, BCT at 85°C ΔR ≤ ±(0.5%R + 0.001Ω)
<b>Moisture resistance</b>	56 days / 40°C, RH ≥ 95 %, ΔR ≤ ±(0.5%R + 0.001Ω)
<b>Thermal shock</b>	MIL-Std.-202, method 107, Cond. F ΔR ≤ ±(0.3%R + 0.001Ω)
<b>Terminal strength</b>	MIL-Std.-202, method 211, Cond. A (pull test) 2.4 N ΔR ≤ ±(0.2%R + 0.001Ω)
<b>Vibration, high frequency</b>	MIL-Std.-202, method 204, Cond. D ΔR ≤ ±(0.2%R + 0.001Ω)
<b>Working temperature</b>	-55°C to +125°C
<b>Installation</b>	M3 screw, max. torque 0.7 Nm
<b>Weight</b>	~3,3 g



Derating (thermal resist.) ACP-100: 0.45 K/W

A thermal interface material with a specific thermal resistance >3,4W / (mK) and a printed thickness of <0,15mm shall be pre-applied on the resistor.

## How to make a request

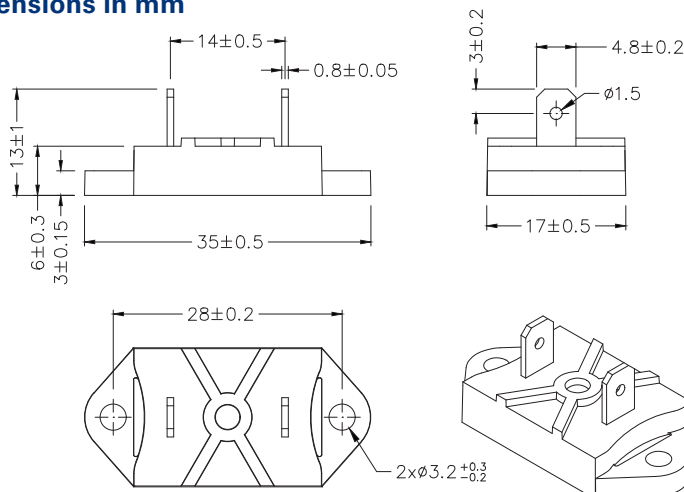
ACP-100\_Ohmic Value\_Tolerance

For example:  
ACP-100 50R 10%

## Suggested Mounting Procedure:

- 1.) Position component and press down by hand
- 2.) Fix both mounting screws (M3) with 0.1 to 0.2 Nm torque
- 3.) Apply final torque to mounting screws of 0.6 to 0.7 Nm

## Dimensions in mm



The above spec. sheet features our standard products. For further options please contact your local Miba Resistors representative.

sales.mra@miba.com · US: sales@mibaresistors.com



# Disclaimer

The given statements and information herein are recommendations for the use of our products and are based on our experience in combination with applicable technical standards.

They are for guidance only and do not represent any assurance of characteristics or warranty commitments for the products or their suitability for specific applications.

The suitability of the products for the intended use by the user depends on different boundary conditions and influencing factors and is to be assessed exclusively by the user.

**DISCLAIMER:**

NO WARRANTY OR GUARANTEE, EXPRESS OR IMPLIED, IS MADE WITH RESPECT TO THE PRODUCTS, DESIGNS, DATA, INFORMATION DESCRIBED OR ANY INTELLECTUAL PROPERTY CONTAINED THEREIN. ANY WARRANTY OR GUARANTEE OF MERCHANTABILITY OR FITNESS FOR A PARTICULAR PURPOSE IS ALSO EXCLUDED.

The given statements and information herein reflect the current status at the time of publication.

Typing or printing errors cannot be excluded.

This publication shall not be reprinted or reproduced in whole or in part in any form or by any means without the express written permission of Miba Resistors.