



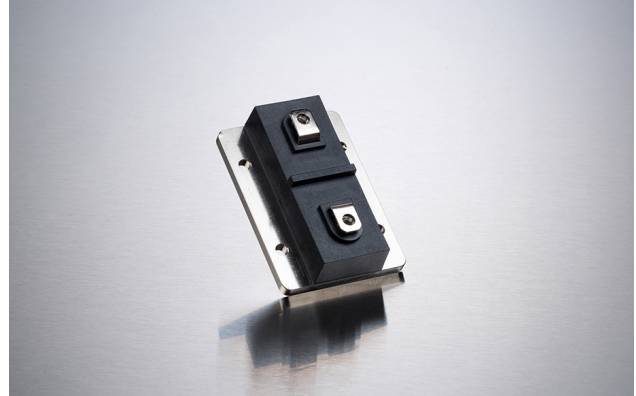
Series RPS-100

Flange Plate Power Resistor

1/1

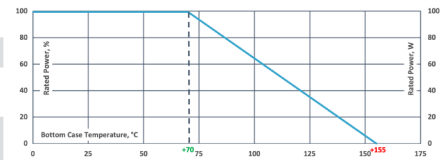
Features

- 150 W operating power
- Bottom case temperature $\leq 70^{\circ}\text{C}$
- Single resistor configuration
- Installation with M4 screw mounting



Technical Specifications

Resistance value	0.1 Ω \leq 1 M Ω
Resistance tolerance	$\pm 1\%$ to $\pm 10\%$
Temperature coefficient	± 150 ppm/ $^{\circ}\text{C}$, lower on special request (referenced to 25 $^{\circ}\text{C}$, ΔR taken at $+108^{\circ}\text{C}$)
Power rating	150 W at $+70^{\circ}\text{C}$ (installed on heatsink) 10 W at $+25^{\circ}\text{C}$ free air
Maximum operating voltage	2000 V AC or 4000 V DC
Dielectric strength voltage	5 kV AC, 1 min.
Insulation resistance	> 10 G Ω at 500 V DC
Capacitance / mass	45 pF
Contact installation	M4 screw, max. torque 1 Nm
Base plate installation	M4 screw, max. torque 3 Nm
Working temperature	-55°C ~ $+155^{\circ}\text{C}$
Weight	$\sim 65\text{g}$



Derating (thermal resist.) RPS-100:
1.76 W/K (0.57 K/W)

How to make a request

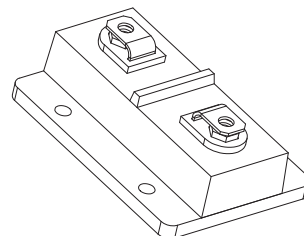
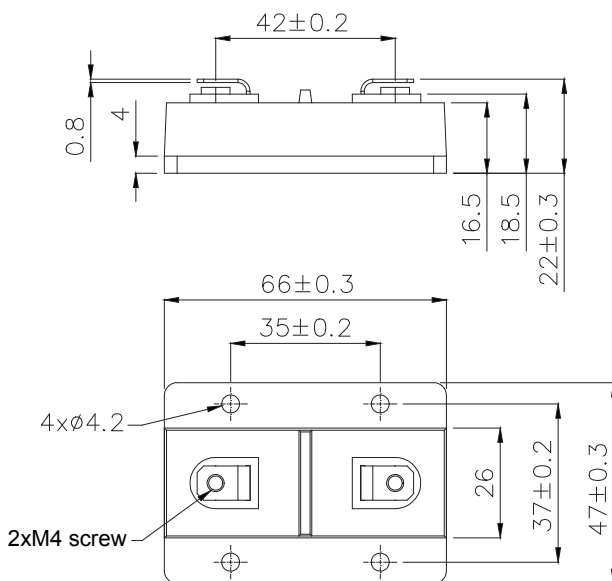
RPS-100_Ohmic Value_Tolerance

For example:
RPS-100 220R 5%

Applicable Standard

IEC60115-1: 2001 (GB/T5729-2003)
MIL-STD-202
MIL-R-39009D

Dimensions in mm





Disclaimer

The given statements and information herein are recommendations for the use of our products and are based on our experience in combination with applicable technical standards.

They are for guidance only and do not represent any assurance of characteristics or warranty commitments for the products or their suitability for specific applications.

The suitability of the products for the intended use by the user depends on different boundary conditions and influencing factors and is to be assessed exclusively by the user.

DISCLAIMER:

NO WARRANTY OR GUARANTEE, EXPRESS OR IMPLIED, IS MADE WITH RESPECT TO THE PRODUCTS, DESIGNS, DATA, INFORMATION DESCRIBED OR ANY INTELLECTUAL PROPERTY CONTAINED THEREIN. ANY WARRANTY OR GUARANTEE OF MERCHANTABILITY OR FITNESS FOR A PARTICULAR PURPOSE IS ALSO EXCLUDED.

The given statements and information herein reflect the current status at the time of publication.

Typing or printing errors cannot be excluded.

This publication shall not be reprinted or reproduced in whole or in part in any form or by any means without the express written permission of Miba Resistors.