

Series AXP-100 B

100 W Power Resistor with four wire terminals, version B for enforced mechanical stability

A Miba Group Company

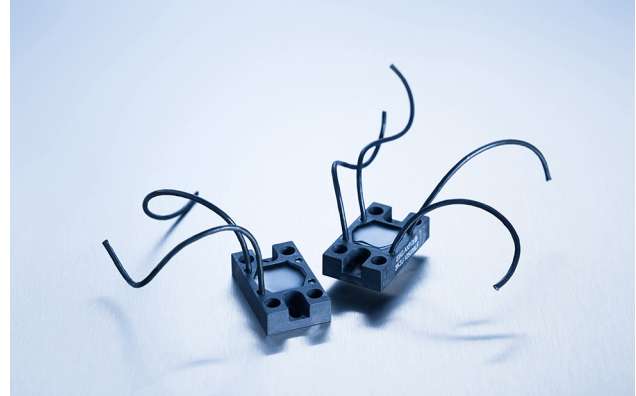
1/1

The new design with its non-inductive thick film Metal Oxide Technology prevents potential problems with clearance and creeping distance from terminal to base plate by means of flexible connecting leads.

This unique design allows you to use this elements in the following areas: variable speed drives, power supplies, control devices, telecommunications, robotics, motor controls and other switching devices.

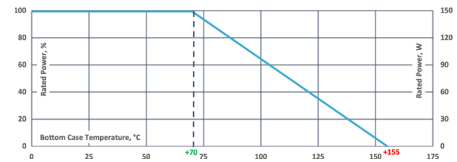
Features

- 1x 100 W / 2x 38 W / 3x 17 W operating power
- Non-Inductive design
- ROHS compliant
- Materials in accordance with UL 94 V-0



Technical Specifications

Resistance value	1 Ω ≤ 1 MΩ
Resistance tolerance	±1 % to ±10 %
Temperature coefficient	±50 ppm/°C to ±250 ppm/°C (at +85°C ref. to +25°C)
Power rating	up to 100 W at 85°C bottom case temperature (see configurations)
Maximum working voltage	500 V (up to 1,500 V DC on special request = "S"-version)
Short time overload	1,5x rated power for 10 sec, ΔR = 0.4% max. (for conf. 1, 2 and 3)
Electric strength voltage	5 kV DC (3 kV AC, higher values on special request) between terminal and case
Internal electric strength between R1 & R2	5 kV DC
Working temperature range	-55°C to +155°C
Mounting - torque	1.0 Nm to 1.2 Nm
Standard cable length	100 mm (other lengths on special request)
Standard cable type	PVC 0,75 mm ² , 20-AWG black
Weight	~22 g



Derating (thermal resist.) AXP-100 B: 1.42 W/K (0.70 K/W) (for conf. 1, 2 and 3)

Best results can be reached by using a thermal transfer compound with a heat conductivity of at least 1 W/mK. The flatness of the cooling plate must be better than 0.05 mm overall. Surface roughness should not exceed 6.4 μm.

How to make a request

AXP-Configuration B_Ohmic Value_Tolerance

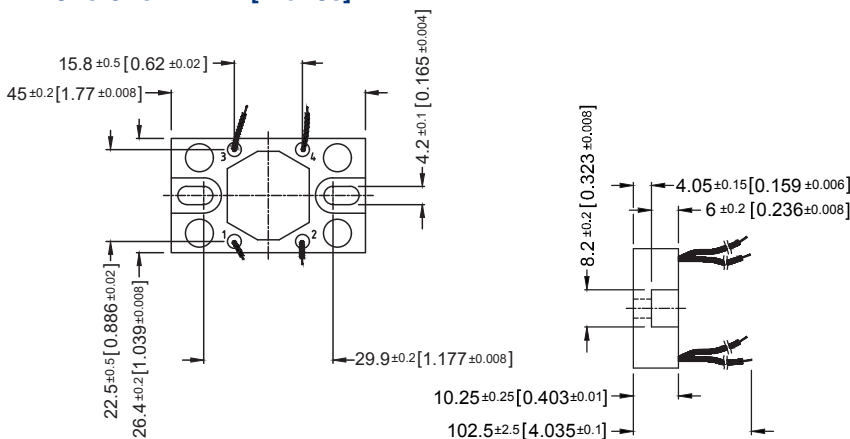
For example:
AXP-1 B 2K 10% or AXP-4 B 2x50R 5%

Example for higher working voltage:
AXP-1-B-S 55K 5%

Suggested Mounting Procedure:

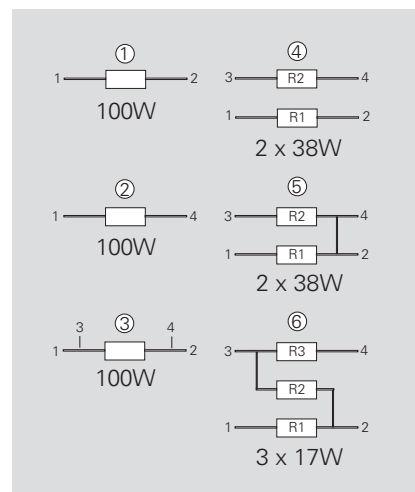
- 1.) Position component and press down by hand
- 2.) Fix both mounting screws (M4) with 0.1 to 0.2 Nm torque
- 3.) Apply final torque to mounting screws of 1.0 to 1.2 Nm

Dimensions in mm [inches]



Boreholes distance from min. 30.0 mm to max. 37.0 mm

Configurations (P / package)



Version 5: ohmic value between contact 2 and 4 = 3mΩ

The above spec. sheet features our standard products. For further options please contact our local EBG representative or contact us directly.

Disclaimer



A Miba Group Company

The given statements and information herein are recommendations for the use of our products and are based on our experience in combination with applicable technical standards.

They are for guidance only and do not represent any assurance of characteristics or warranty commitments for the products or their suitability for specific applications.

The suitability of the products for the intended use by the user depends on different boundary conditions and influencing factors and is to be assessed exclusively by the user.

DISCLAIMER:

NO WARRANTY OR GUARANTEE, EXPRESS OR IMPLIED, IS MADE WITH RESPECT TO THE PRODUCTS, DESIGNS, DATA, INFORMATION DESCRIBED OR ANY INTELLECTUAL PROPERTY CONTAINED THEREIN. ANY WARRANTY OR GUARANTEE OF MERCHANTABILITY OR FITNESS FOR A PARTICULAR PURPOSE IS ALSO EXCLUDED.

The given statements and information herein reflect the current status at the time of publication.

Typing or printing errors cannot be excluded.

This publication shall not be reprinted or reproduced in whole or in part in any form or by any means without the express written permission of EBG.