

Series AXP-150

150 W Plane Non-Inductive Power Resistor

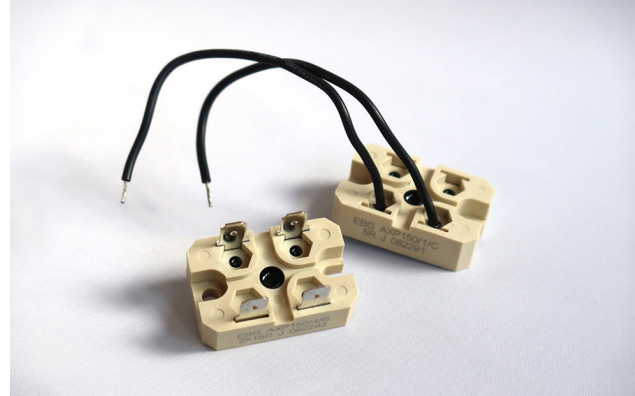


A Miba Group Company

1/2

Features

- 1x150 W / 2x60 W / 3x33 W operating power
- SOT-227 mould package
- Two different terminal options available
- Good mechanical reliability
- Non-Inductive design



Technical Specifications

Resistance value	0.5 Ω ≤ 1 MΩ
Resistance tolerance	±1 % to ±10 %
Temperature coefficient	±50 ppm/°C to ±250 ppm/°C (+25°C to +105°C, ref. to +25°C)
Power rating	150 W at 70°C bottom case temperature (see configurations)
Maximum operating voltage	1500 V DC
Capacitance (mass)	36 pF
Capacitance (parallel)	12 pF
Inductance	≤ 50 nH
Electric clearance / creepage distance	2 terminal types available (see below)
Load life	1,000 hours at rated power, BCT at 70°C, ΔR ≤ ±(1.0% R + 0.001Ω)
Moisture resistance	56 days / 40°C RH ≥ 95% ΔR ≤ ±(0.25% R + 0.001Ω)
Thermal shock	-40°C to +125°C, 5 times, ΔR ≤ ±(0.25% R + 0.001Ω)
Vibration, high frequency	MIL-Std.-202, method 204, Cond. D ΔR ≤ ±(0.2% R + 0.001Ω)
Dielectric strength	5 kV DC, 3 kV AC (higher on special request)
Base plate installation	M4 screw, max. torque 1.3 Nm
Contact terminal	M4 screw, max. torque 1.0 Nm
Operating temperature range	-55°C to +155°C
Weight	~18 g

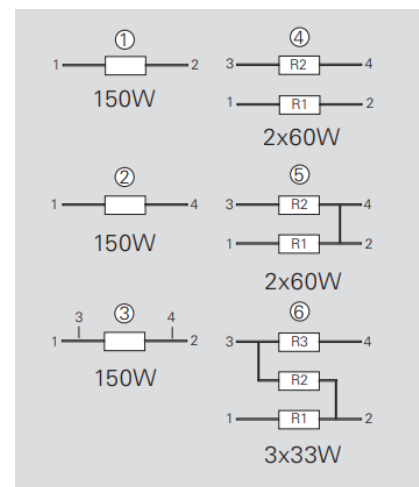
How to make a request

AXP-150-Configuration_Terminal Type_ Ohmic Value_Tolerance

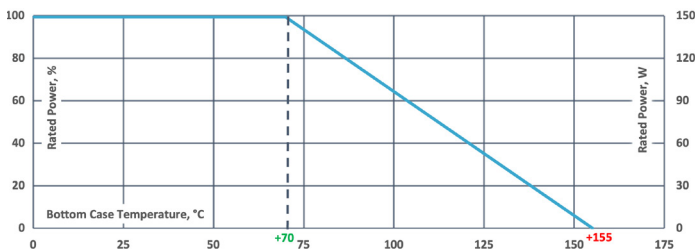
For example:

AXP-150-2-C 50R 5%

Configurations (P / package)



Version 5: ohmic value between contact 2 and 4 = 3mΩ



Derating (thermal resist.) AXP-150: 1.76 W/K (0.57 K/W)

Without a heat sink, when in open air at 25°C, the AXP-150 is rated for 3.5 W.

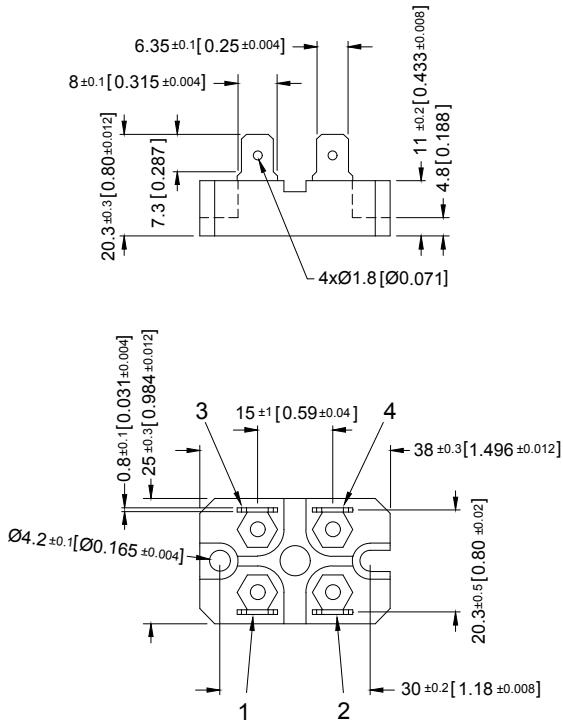
The above spec. sheet features our standard products. For further options please contact our local EBG representative or contact us directly.

sales@ebg-resistors.com · sales@ebg-us.com

Series AXP-150



Terminal B dimensions in mm [inches]



Terminal (#1 ~ #4) linear distance:

- #1 to #2#3 to #4 ≥ 7 mm
- #1 to #3#2 to #4 ≥ 19 mm
- #1 to #4#2 to #3 ≥ 20 mm
- Terminal to board ≥ 11 mm

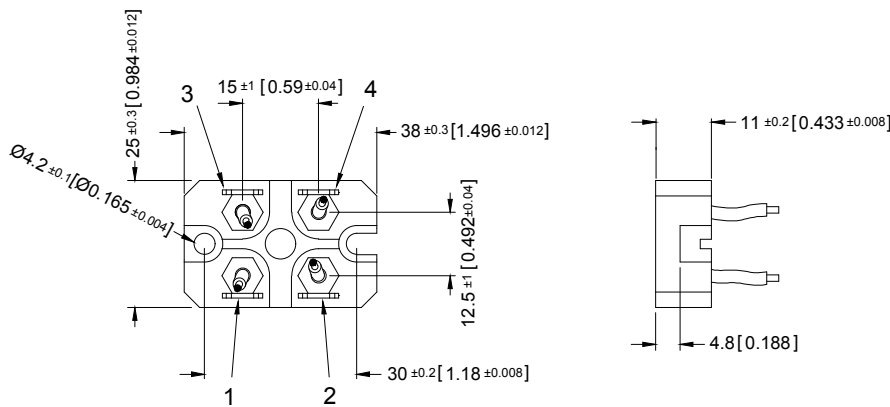
When using "insertion type terminal" the distance reduced by 1 mm

Terminal (#1 ~ #4) creep distance:

- #1 to #2#3 to #4 ≥ 10 mm
- #1 to #3#2 to #4 ≥ 23 mm
- #1 to #4#2 to #3 ≥ 26 mm
- Terminal to board ≥ 13 mm

When using "insertion type terminal" the distance reduced by 1 mm

Terminal C dimensions in mm [inches] (Terminal standard length = 100mm, others on special request)



Disclaimer



A Miba Group Company

The given statements and information herein are recommendations for the use of our products and are based on our experience in combination with applicable technical standards.

They are for guidance only and do not represent any assurance of characteristics or warranty commitments for the products or their suitability for specific applications.

The suitability of the products for the intended use by the user depends on different boundary conditions and influencing factors and is to be assessed exclusively by the user.

DISCLAIMER:

NO WARRANTY OR GUARANTEE, EXPRESS OR IMPLIED, IS MADE WITH RESPECT TO THE PRODUCTS, DESIGNS, DATA, INFORMATION DESCRIBED OR ANY INTELLECTUAL PROPERTY CONTAINED THEREIN. ANY WARRANTY OR GUARANTEE OF MERCHANTABILITY OR FITNESS FOR A PARTICULAR PURPOSE IS ALSO EXCLUDED.

The given statements and information herein reflect the current status at the time of publication.

Typing or printing errors cannot be excluded.

This publication shall not be reprinted or reproduced in whole or in part in any form or by any means without the express written permission of EBG.